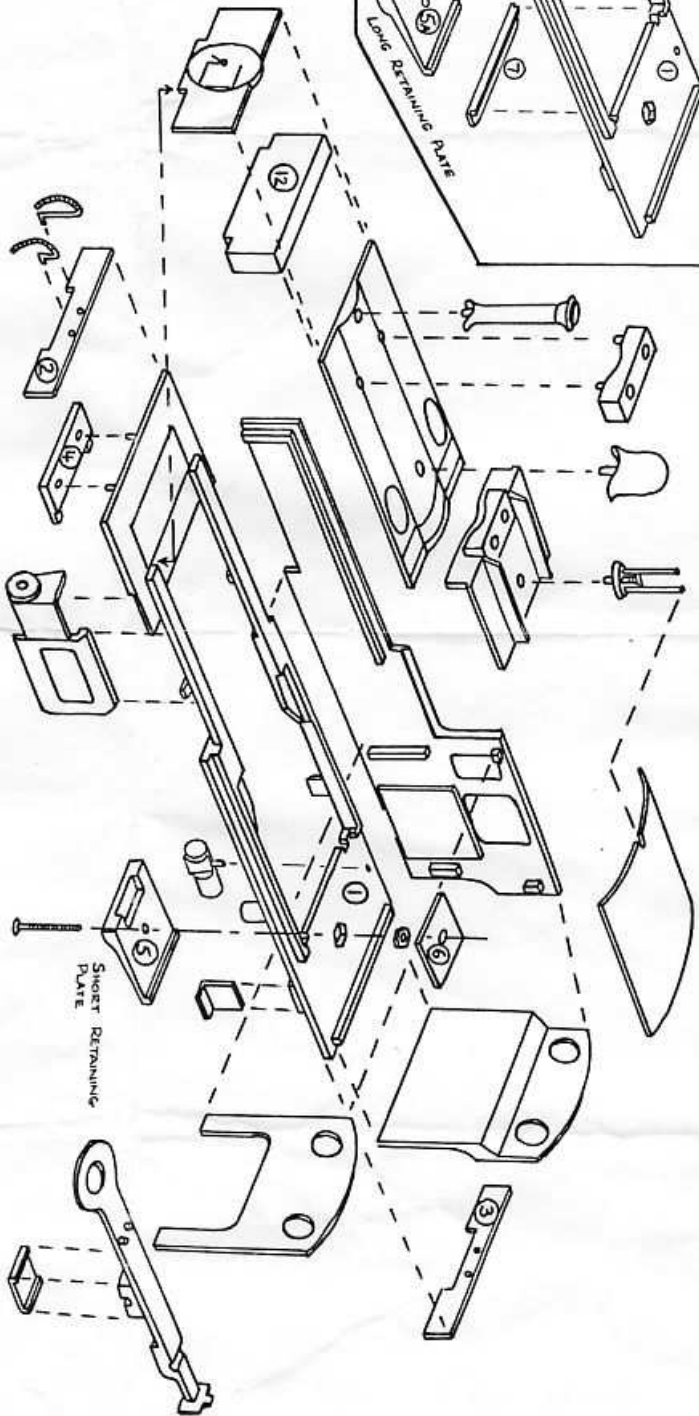
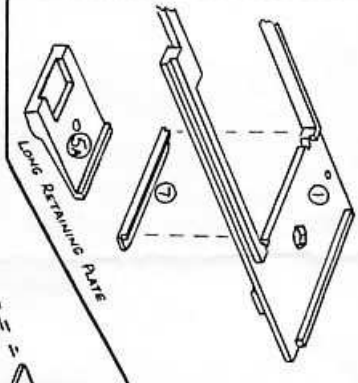
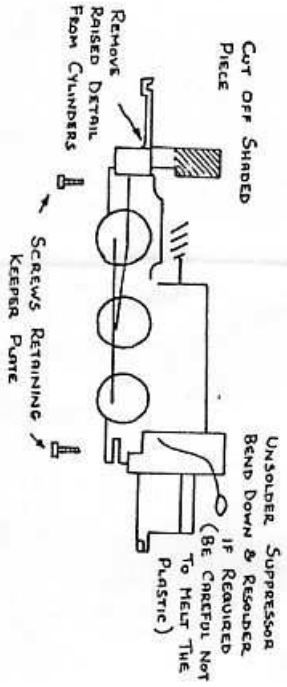


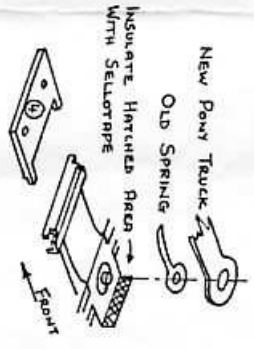
2030 CHASSIS



N205 or 2040 CHASSIS



CHASSIS MODIFICATIONS



INSULATION TO FRONT PONY TRUCK

R. STENNING
 29 TREYFORD CLOSE
 IFFIELD
 CRAWLEY
 SUSSEX
 RH11 0JN