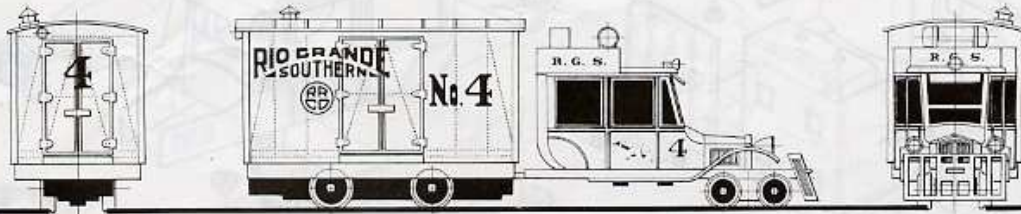




R609  
10-601 ASSEMBLY INSTRUCTION SHEET  
**GOOSE "BAGGAGE"**

- ACC(エポキシ併用)で接着、組立てます。  
Apply bonding cement use A.C.C.
- 接着しません。  
Don't apply bonding cement.
- ドリルで穴をあけます。  
Drill.
- ヤスリなどで整形、仕上げをします。  
File.
- 上辺(下辺)でそろえます。  
When placing parts together make sure that the upper or lower level is place smoothly and with foundation.



Decals:RGM 2w/2b set. (not included.)  
made by THIN FILM.

2mm  
0.08"

90°曲げる (左右対称)  
Bend symmetrically

2.5mm  
0.1"

Contact to the motor cylinder.

Aタイプ  
"A" Type motor

マグネット着色側  
Colored side.

カット  
Cut  
折り曲げ  
Bend

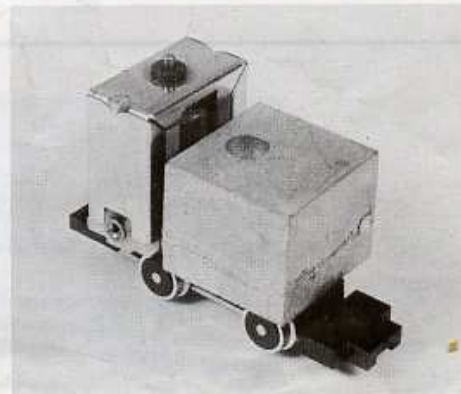
Bタイプ  
"B" Type motor

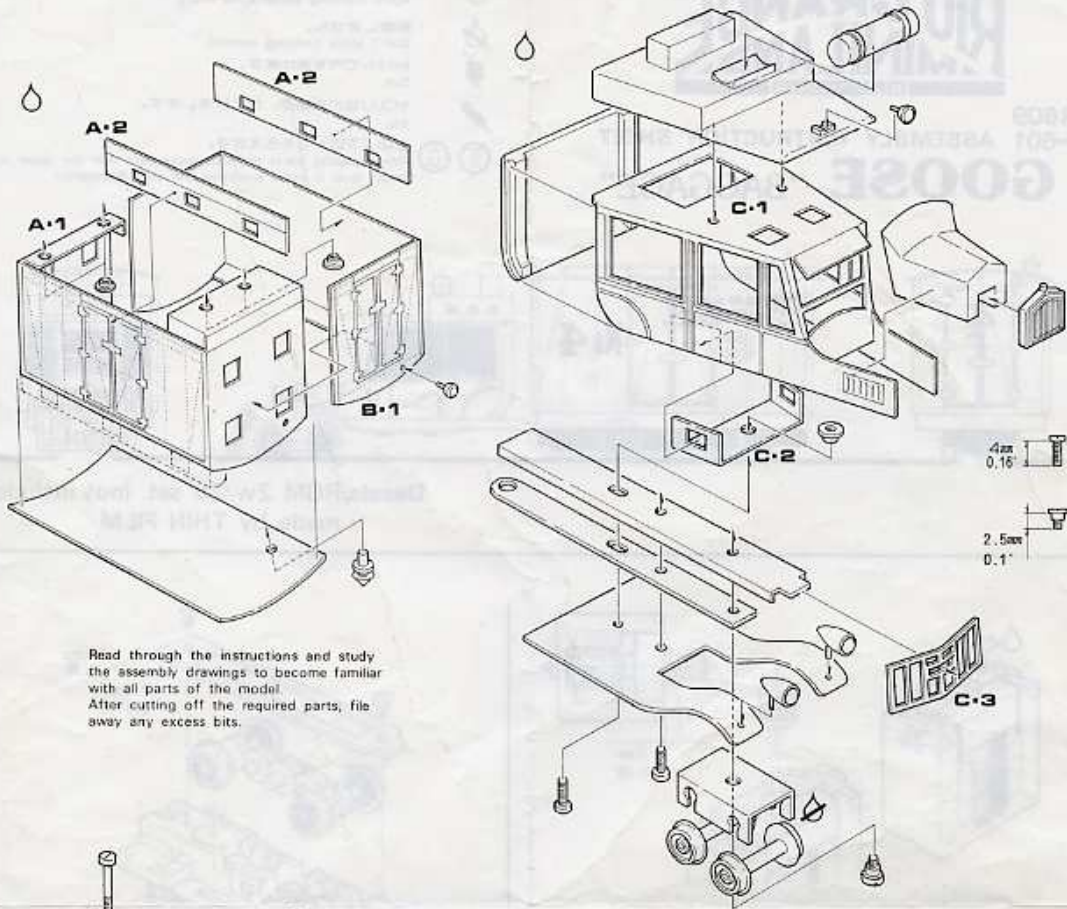
Bタイプのモーターは図のように加工します。

シャシーの穴が動い物はピンを挿入します。

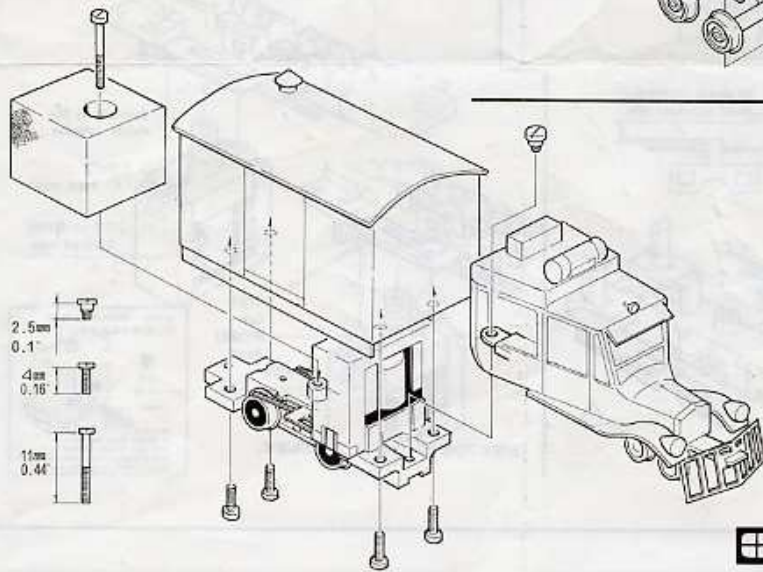
0.5  
0.02

Improve  
If motor does not fit  
accurately to the chassis.  
Drill a hole through the back and  
insert a wire to secure the motor.





Read through the instructions and study the assembly drawings to become familiar with all parts of the model. After cutting off the required parts, file away any excess bits.



© 1981 乗工社

**JOE WORKS**

P.O. BOX 87 TOKYO SEIJO 157 JAPAN

