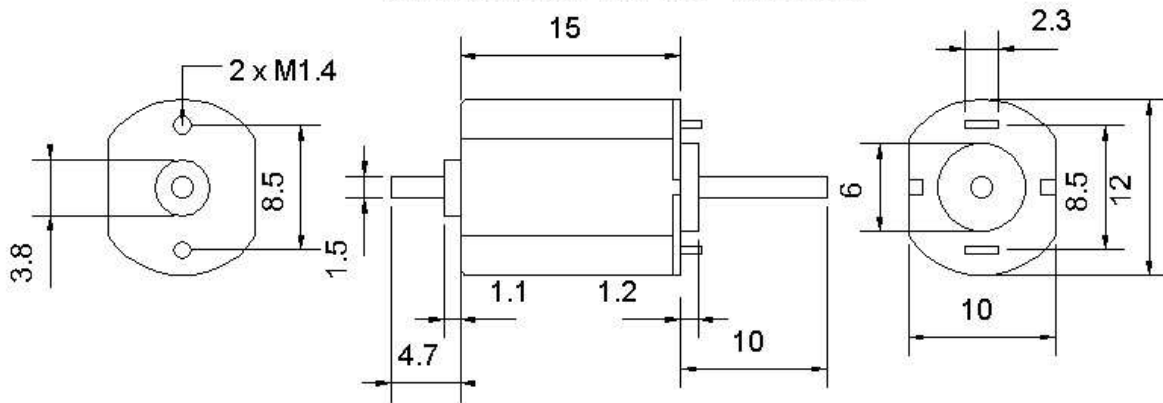


Mashima MHK-1015D



Mashima Specifications

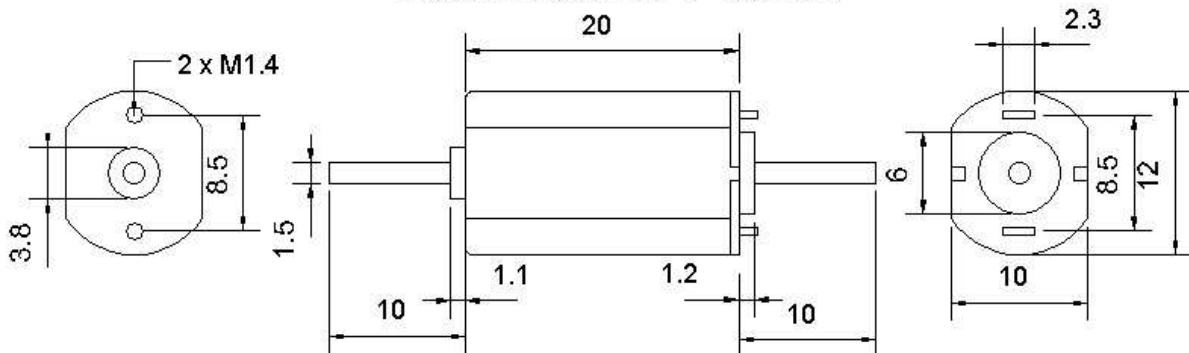
Rated Voltage: 12 volt
 Rated Speed: 16,000 rpm
 Rated Current: 70 mA
 Poles: 5
 Weight: 5 gm

Independent Specifications*

Free running speed @ 12 volt: 14,800
 Current @ this speed; 55 mA
 Typical maximum speed @ 12 volt: 11,000 rpm
 Torque @ this speed: 2.3 g/cm
 Current @ this speed: 100 mA
 Power @ this speed: 0.26 W
 Maximum power output: 0.35 W
 Developed @ speed: 7,500 rpm

*Courtesy of the Eighteen Millimetre Gauge Society

Mashima MHK-1020D



Mashima Specifications

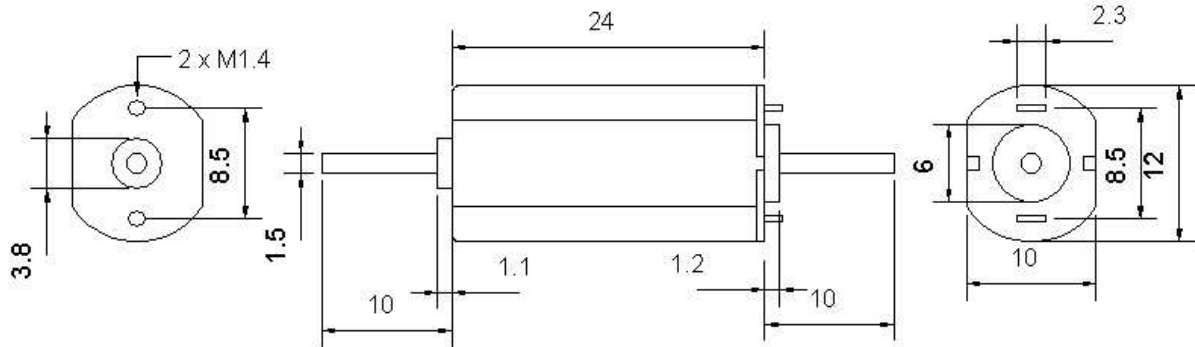
Rated Voltage: 12 volt
 Rated Speed: 15,000 rpm
 Rated Current: 60 mA
 Poles: 5
 Weight: 8 gm

Independent Specifications

Free running speed @ 12 volt: 15,000
 Current @ this speed; 63 mA
 Typical maximum speed @ 12 volt: 11,200 rpm
 Torque @ this speed: 4.4 g/cm
 Current @ this speed: 140 mA
 Power @ this speed: 0.51 W
 Maximum power output: 0.68 W
 Developed @ speed: 7,500 rpm

*Courtesy of the Eighteen Millimetre Gauge Society

Mashima MHK-1024D



Mashima Specifications

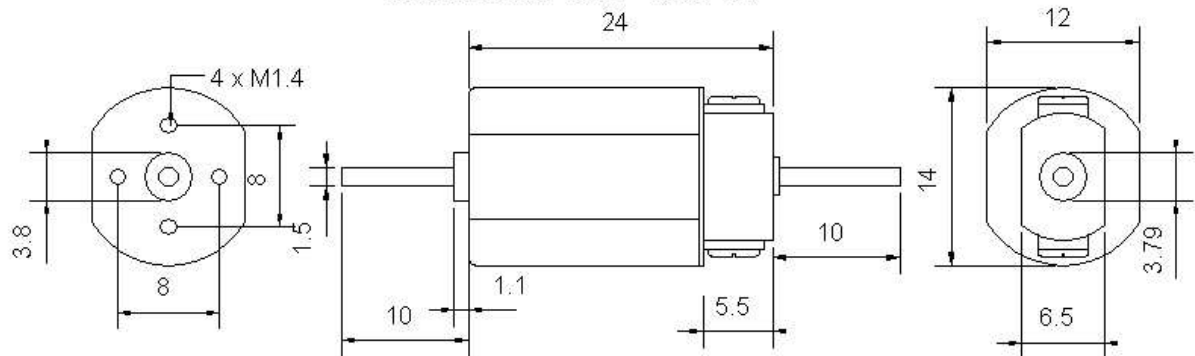
Rated Voltage: 12 volt
 Rated Speed: 19,000 rpm
 Rated Current: 60 mA
 Poles: 5
 Weight: 9 gm

Independent Specifications*

Free running speed @ 12 volt: 16,500
 Current @ this speed: 72 mA
 Typical maximum speed @ 12 volt: 12,400 rpm
 Torque @ this speed: 5.8 g/cm
 Current @ this speed: 170 mA
 Power @ this speed: 0.74 W
 Maximum power output: 1.0 W
 Developed @ speed: 8,300 rpm

*Courtesy of the Eighteen Millimetre Gauge Society

Mashima MH-1224D



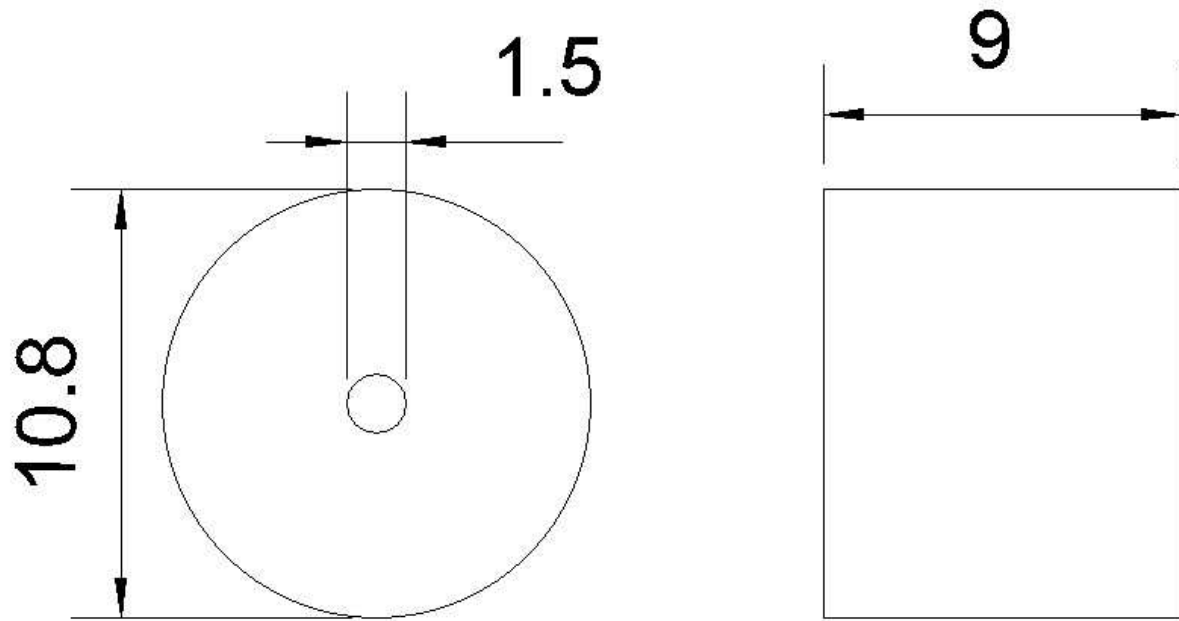
Mashima Specifications

Rated Voltage: 12 volt
 Rated Speed: 12,000 rpm
 Rated Current: 40 mA
 Poles: 5
 Weight: 11gm

Independent Specifications*

Free running speed @ 12 volt: 12,600
 Current @ this speed: 30 mA
 Typical maximum speed @ 12 volt: 9,000 rpm
 Torque @ this speed: 4.48 g/cm
 Current @ this speed: 96 mA
 Power @ this speed: 0.40 W
 Maximum power output: 0.47 W

*Courtesy of the Eighteen Millimetre Gauge Society



Material: Brass

Weight: 6 grams

Tapered force fit onto 1.5mm diameter shaft